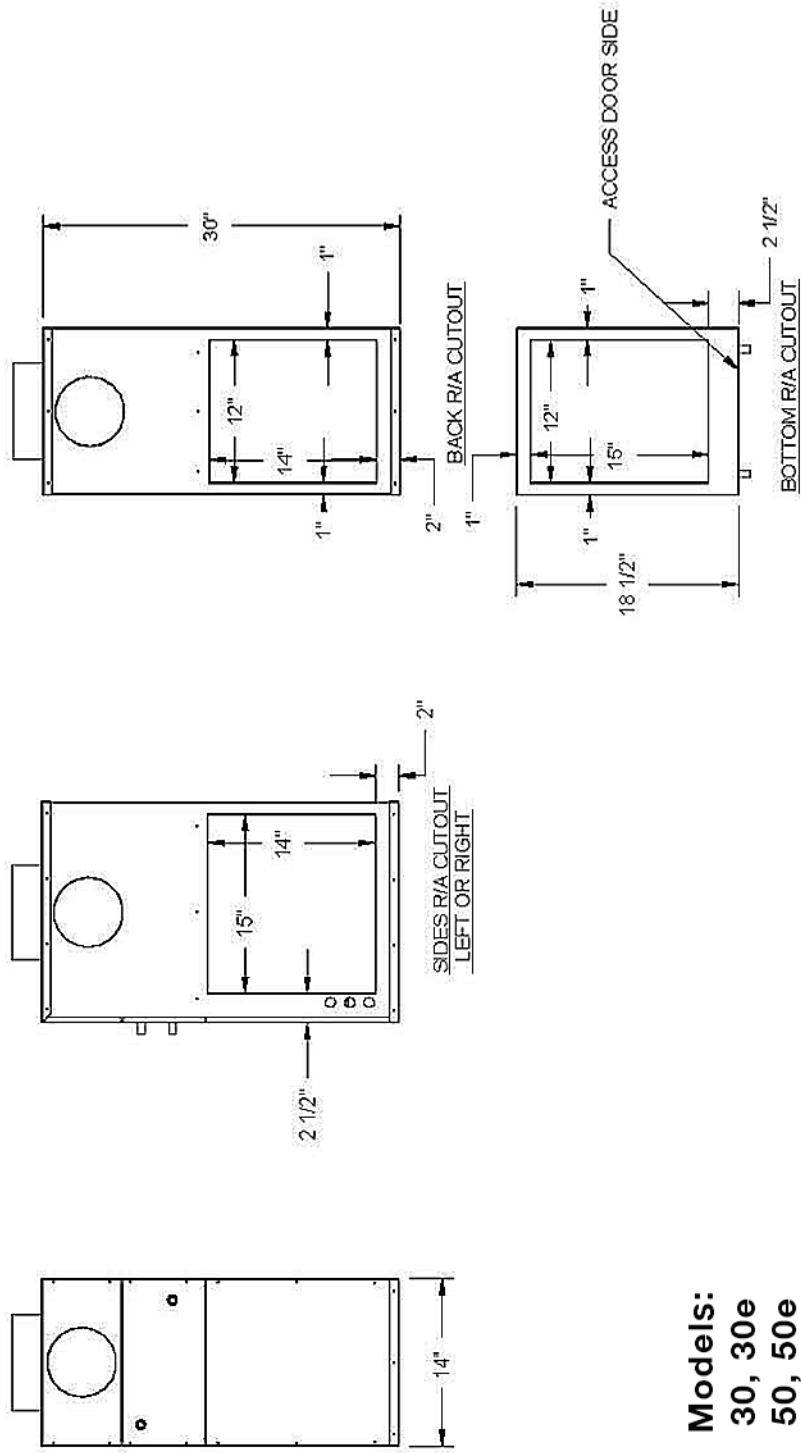


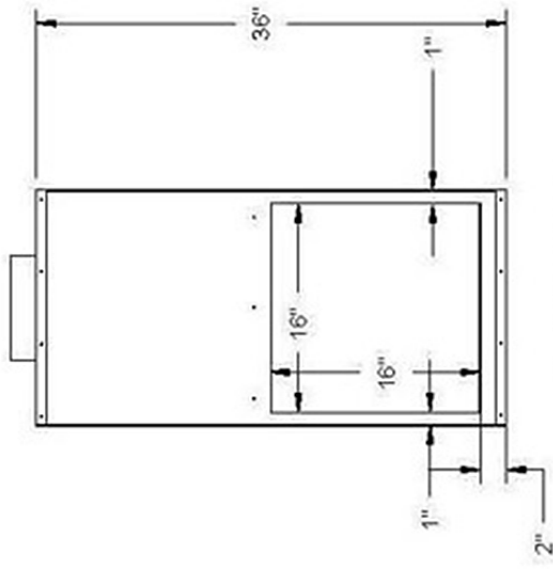
MAXAIR(E) PERFORMANCE RATINGS

Max Air Specifications	Max 30	Max 50	Max 70	Max 100
BTUH Heating @ 180° F EWT	39,382	55,649	77,981	98,593
BTUH Heating @ 170° F EWT	35,769	49,971	69,804	89,630
BTUH Heating @ 160° F EWT	32,159	44,700	58,902	80,666
BTUH Heating @ 150° F EWT	28,553	39,086	50,519	71,704
BTUH Heating @ 140° F EWT	24,951	35,195	46,278	62,741
BTUH Heating @ 130° F EWT	21,356	30,250	41,000	53,500
TX Cooling (Tons) ⁽¹⁾	1.0	1½ - 2.0	2½	3
CFM @ 1.5" ESP	350	580	750	950
HP - RPM	⅓ - 1,625	½ - 1,625	¾ - 1,625	¾ - 1,625
Motor Amps @ 120/1/60	4.6	6.2	8.7	8.7
GPM Flow Rating	5	5	7	8
Fan Coil Size (L/W/H)	30"x14"x18½"	30"x14"x18½"	36"x18"x19½"	36"x18"x25½"
Supply Air Size	8	8	8	10
Return Air Size Required	12"x14" min.	12"x14" min.	16"x15" min.	16"x16" min.
Minimum Outlets	7	13	16	19
Maximum Outlets	11	17	20	25

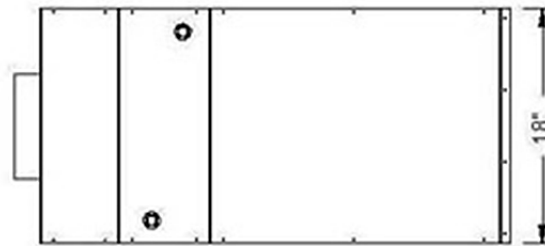
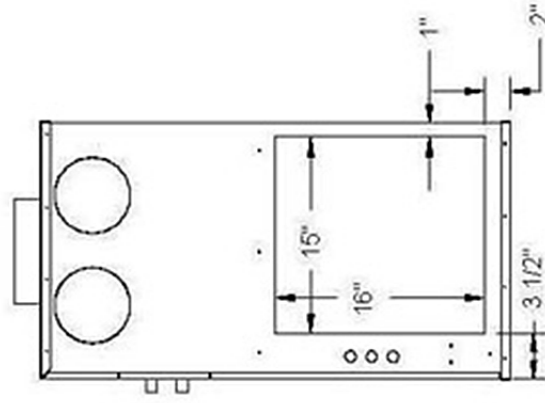
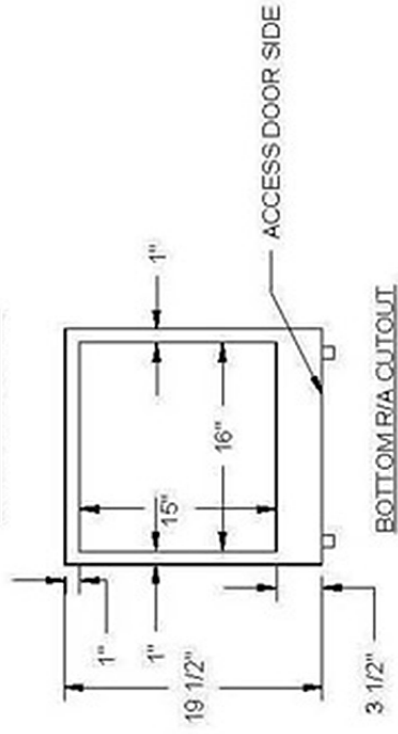
⁽¹⁾ Smaller condensers may be matched to fan coil when required (match TXV to condenser size)



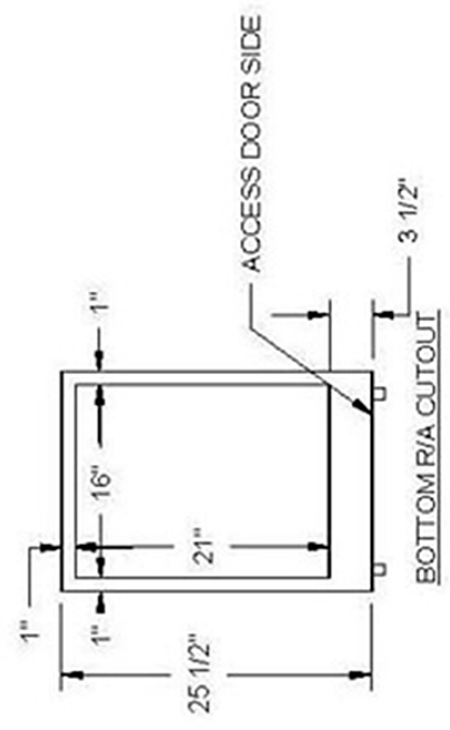
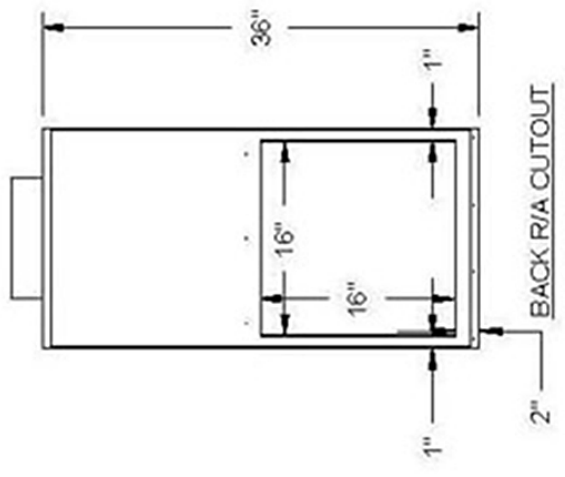
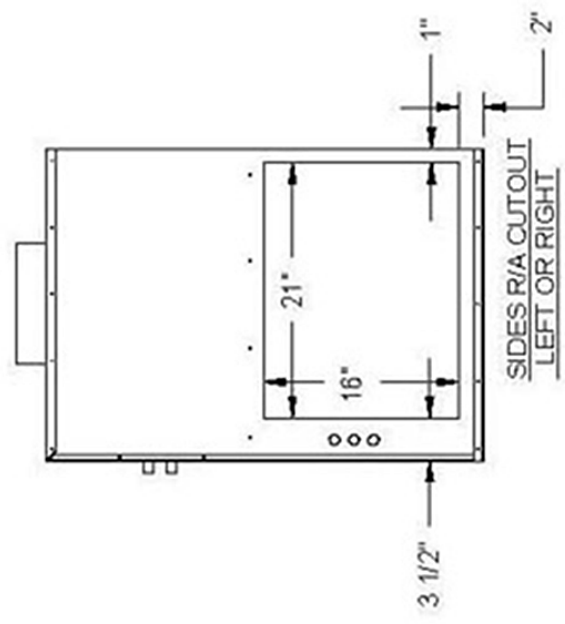
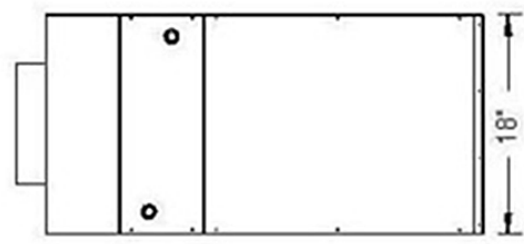
Models:
30, 30e
50, 50e



BACK R/A CUTOUT



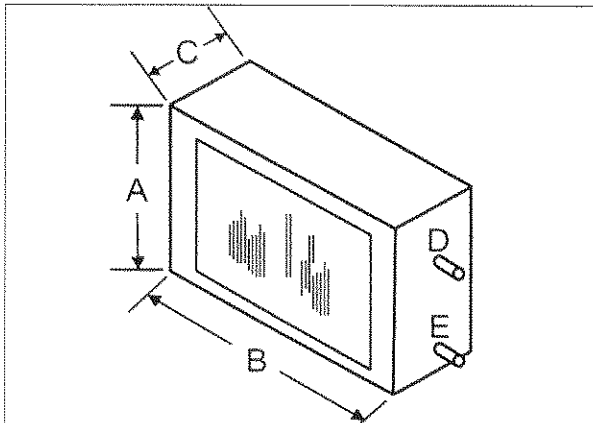
**Models:
70, 70e**



Models:
100, 100e

APPENDIX C

evaporator coil sizes



The coil module comes with two thermal expansion valves, two access ports, and an external frost thermostat and must be installed in the vertical position on the return air side of the fan coil.

COIL SPECIFICATIONS:

Nominal Cooling Capacity	Model	Length (B)	Width (C)	Weight (lb)	Airflow for Nominal Cooling (cfm)	Depth (A)	Coil Size
1 T	MA24-50-1	19	4.5	15	400	18	11x16x2Rx10fpi
1 1/2T	MA18-50	19	4.5	12	600	18	11x16x3Rx10fpi
2T	MA24-50	19	4.5	15	800	18	11x16x4Rx10fpi
2 1/2T	MA30-70	23	4.5	20	1000	18	15x16x4Rx10fpi
3T	MA36-100	23.5	4.5	25	1200	18	19x16x4Rx10fpi